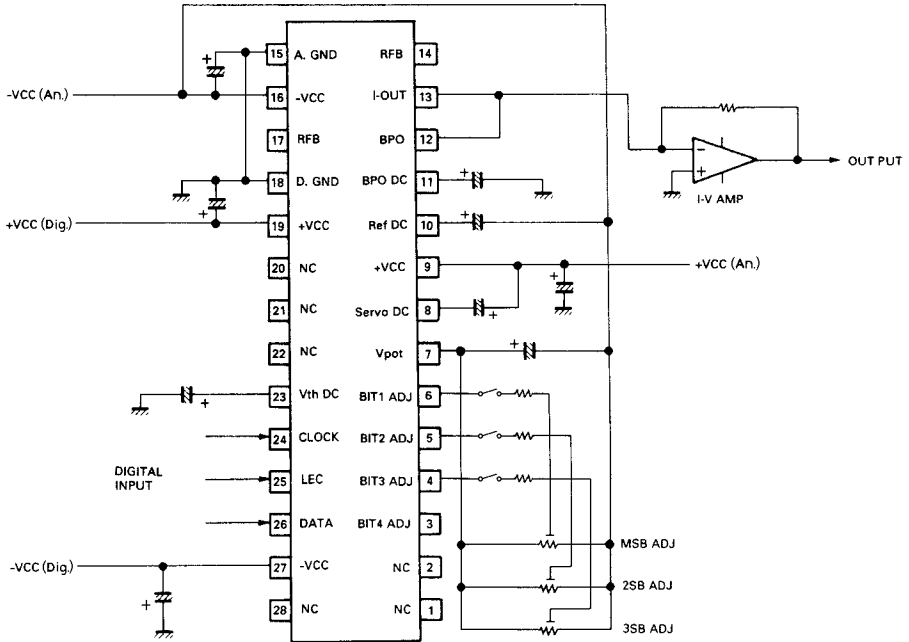


18-bit serial input D/A converter PCM1701

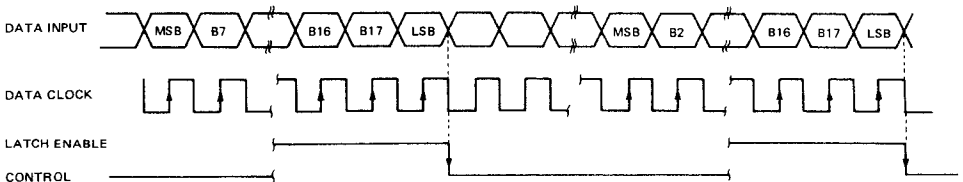
1. Terminal connection diagram



2. Terminal connections

Pin No.	Name	Pin No.	Name	Pin No.	Name
1	NC	11	BPO Filter	21	NC
2	NC	12	Bipolar offset	22	NC
3	Bit 4 ADJ	13	Current output	23	VTH filter
4	Bit 3 ADJ	14	RF	24	Clock input
5	Bit 2 ADJ	15	Analog common	25	LEC input
6	Bit 1 ADJ	16	-Vcc (Analog)	26	DATA input
7	V pot	17	RF	27	-Vcc (Digital)
8	Servo filter	18	Digital common	28	NC
9	+Vcc (Analog)	19	+Vcc (Digital)		
10	Reference filter	20	NC		

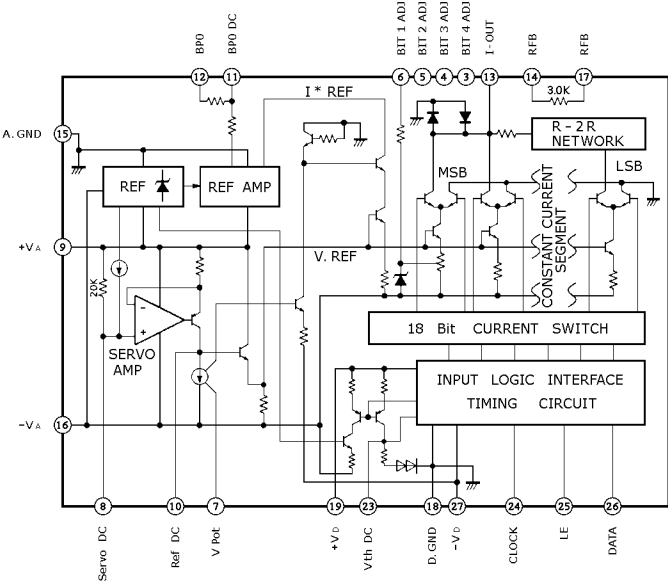
3. Timing chart



- The data format is of 2's complement, right-justified or continuous data of MSB first.
- Data is taken in to the shift register at the rise of the data clock pulse.

18-bit serial input D/A converter PCM1701

4. Block diagram



5. Case

